

PAR30
WET LOCATION



SHORT NECK



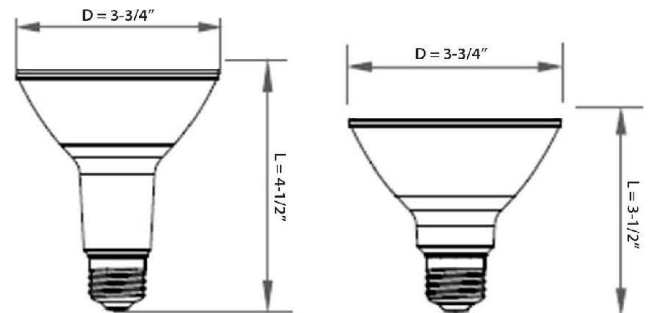
LONG NECK

TECHNICAL SPECIFICATIONS:

- :: Watts: 10W
- :: Lumens: 800LM & 900LM
- :: Voltage: 120V A/C 60Hz
- :: PF: ≥0.8
- :: Color: 3000K (Warm white) and 5000K (Cool white)
- :: CRI: 90
- :: COB
- :: Aluminum housing
- :: Beam Angle: 40°
- :: Base: E26
- :: Lifespan: 25,000 Hours
- :: Dimmable
- :: Operating Temp: -4~+113°F
- :: UL listed
- :: Wet Location

FEATURES:

- :: Long life—reduced re-lamping cost
- :: Contains No Mercury
- :: Emits no UV/IR light
- :: 5-year warranty



C22

PAR30 LED LAMPS

PAR30 LED LAMPS

CATALOG NO.	WATTS	COLOR TEMP	LUMENS	BEAM
PAR30-SN-10W-30K-D	10W	3000K	800LM	40°
PAR30-SN-10W-50K-D	10W	5000K	900LM	40°
PAR30-LN-10W-30K-D	10W	3000K	800LM	40°
PAR30-LN-10W-50K-D	10W	5000K	900LM	40°

