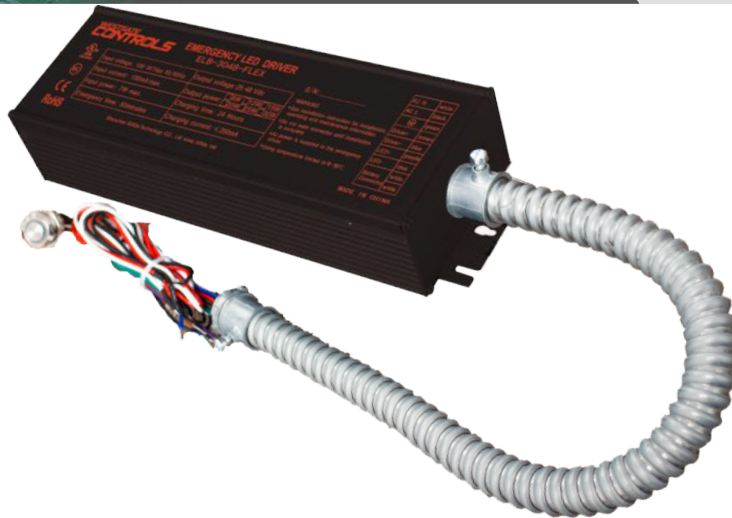


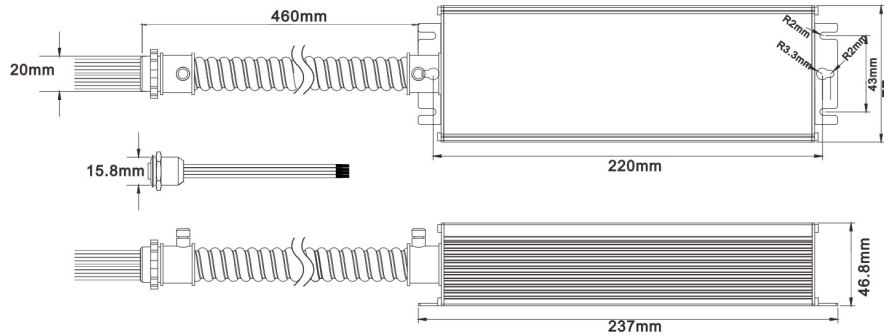
30W INTEGRATED



ELB-3048-FLEX is a CEC-Compliant, UL-Listed and approved for field installation emergency lighting system for fixtures with **Non-Isolated** drivers. For use with LED modules driven by a constant current source.

Applications:

- Indoor suspended and surface mount lights
- Ceiling fixtures
- Linear high bay fixtures



ELB-3048-FLEX

Input Voltage	120~347V AC, 50-60Hz
Input Current	100mA Max.
Input Power	7W Max.
Output Classification	Class II
Output Voltage	25-48V DC
Output Current	160-1200mA
Output Power	8W / 15W / 20W / 25W / 30W Selectable
No Load Power Loss	≤ 0.5W
Surge Protection	L-N 1KV
Over Current Protection	Fuse
Emergency Duration	90 Minutes
Battery	Li-ion (Lithium-ion), 4000mAh
Charging Time	≥ 24Hrs.
Operating Temperature	-32°F ~ 122°F
Test Switch	Test Switch w/ Integrated Indicator Light
Weight	1.17 lbs.
Cable Length	17.7" Flexible Conduit

