

WMS

A25
LED STEP LIGHTS



Available in White



Bottom View

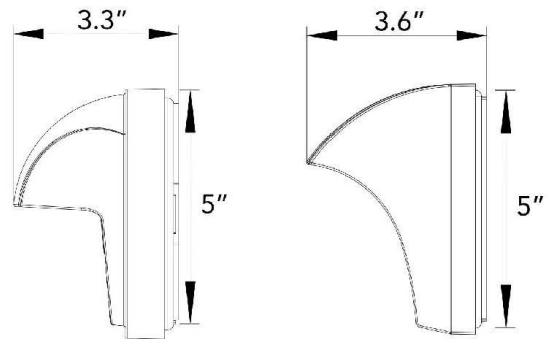
Mounting Posts
on opposite page

TECHNICAL SPECIFICATIONS:

- :: Die-cast aluminum with powder coat finish (Dark Bronze), optimized for LED
- :: Polycarbonate front housing and prismatic lens provide vandal resistance
- :: Four 1/2" HUB
- :: LED: Philips Lumileds LEDs
- :: Voltage: 100~277V AC, 50/60Hz
- :: CRI: >80
- :: Power Factor: 95%
- :: Operating Temp: -4°F to 104°F
- :: 70,000 hour rated life
- :: 7-year warranty
- :: Suitable for Wet Locations, IP54

APPLICATIONS:

- :: Ideal for general site lighting, alleys, loading docks, doorway, pathway and parking areas.
- :: Great for use with photocell



LED WALL/STEP LIGHTS

CATALOG NO.		WATTS	LUMENS	COLOR TEMP	SHAPE
BRONZE	WHITE				
WMS-S-50K-BR	WMS-S-50K-WH	6W	4400LM	5000K	SQUARE
WMS-S-30K-BR	WMS-S-30K-WH	6W	4400LM	3000K	
WMS-R-50K-BR	WMS-R-50K-WH	6W	4400LM	5000K	ROUND
WMS-R-30K-BR	WMS-R-30K-WH	6W	4400LM	3000K	