

A39 **PML**
MULTI COLOR TEMPERATURE

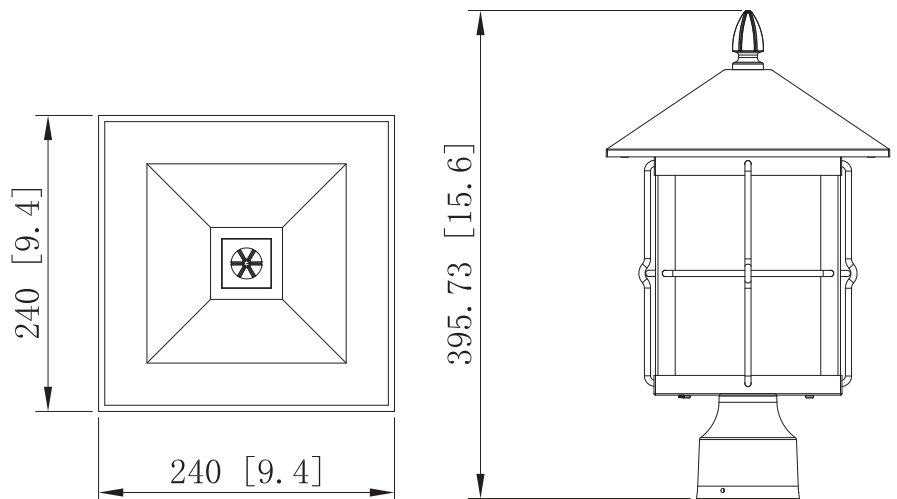


TECHNICAL SPECIFICATIONS:

- :: Aluminum housing, black powder coated
- :: 120V AC, 60Hz
- :: Multi-CCT: 3000K/4000K/5000K
- :: Efficacy: 100 LM/W
- :: LED Type: 2835 SMD
- :: CRI: >80
- :: Power Factor: 95%
- :: Operating Temp: -4°F to 104°F
- :: 50,000 hour rated life
- :: 7-year warranty
- :: Suitable for Wet Locations, IP65

APPLICATIONS:

- :: Ideal for general site lighting, alleys, loading docks, doorway, pathway and parking areas.



LED POST MOUNT LANTERN

CATALOG NO.	WATTS	LUMENS	COLOR TEMP	DIMENSIONS
PML-MCT-BLK	12W	1200LM	3000K, 4000K, 5000K	16.6"(L) x 9.4"(H) x 9.4"(W)