

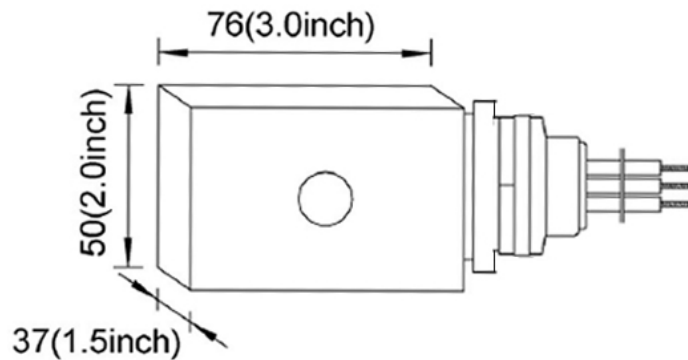
277V



PC-1H is a dusk-to-dawn photocell light switch with input voltage range of 208-277VAC. The stem size is ½" NPT. It conforms to UL standard 773A.

Applications:

- All outdoor lights



PC-1H

Voltage	277V AC, 50/60Hz
Rated Load	Tungsten - 1800W Ballast - 1100VA
Power Consumption	1.5VA
On/Off Levels	10~20 Lx, On (Dusk) / 30~60 Lx , Off (Dawn)
Reaction Time	30 Seconds
Detection Angle	180°
Operating Temperature	-40°F ~ 158°F
Wire Length	6" AWG#16
IP Rating	IP54

