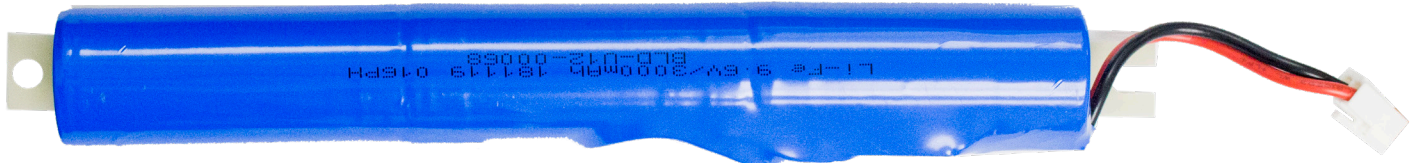




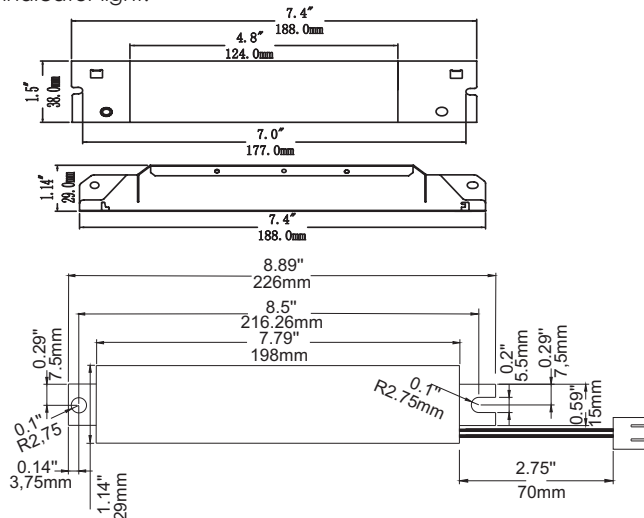
**15W SPLIT  
HEAT TOLERANT**



**ELB-1548-HH** is a CEC-Compliant, UL-Listed and approved for field installation emergency lighting system for fixtures with **isolated** drivers. For use with LED modules driven by a constant current source. The LiFePO4 battery's high heat tolerance makes this unit suitable for installation in enclosed fixtures. The complete split system includes the EM driver, battery charger, battery, test switch with integrated indicator light.

### Applications:

- High-wattage Outdoor wallpacks
- High-wattage Vapor-tight fixture
- All indoor commercial fixtures



## ELB-1548-HH

Input Voltage	120~277V AC, 50-60Hz
Input Current	100mA Max.
Input Power	7W Max.
Output Classification	Class II
Output Voltage	25-48V DC
Output Current	410-600mA
Output Power	15W Max.
No Load Power Loss	≤ 0.5W
Surge Protection	L-N 1KV
Over Current Protection	Fuse
Emergency Duration	90 Minutes
Battery	LiFePO4 (Lithium Iron Phosphate), 9.6V / 3000mAh
Charging Time	≥ 24Hrs.
Operating Temperature	32°F ~ 122°F
Test Switch	Test Switch w/ Integrated Indicator Light
Weight	1.0 lbs.

