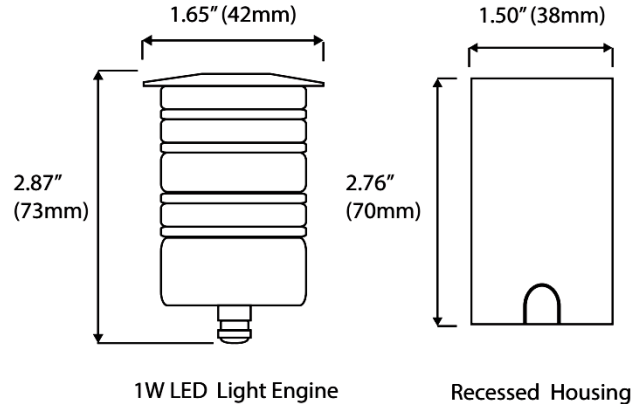




**DIMENSIONS:**

2.87"(H) x 1.65"(D)



1W LED Light Engine

Recessed Housing



Silicon-filled  
Wire Nuts



5" SJTW 20AWG Lead  
Wire

**IGL-1W-30K**

**12V INTEGRATED LED (IN GROUND) LIGHTS**

Ideal for Landscape light, Concrete light, Deck light, In floor light.

**ELECTRICAL SPECIFICATIONS:**

- Voltage: 12VAC/DC
- Wattage: 1W
- Efficacy: 100LM/W

**HOUSING SPECIFICATIONS:**

- Aluminum Housing
- Stainless Steel Cover, PVC Sleeve
- Silicon-filled Wire Nuts
- 5" SJTW 20AWG Lead Wire
- Operating Temperature: -20°F ~ 110°F
- Lifespan: 50,000hr
- IP Rating: IP67
- Traffic Rated

**CERTIFICATIONS:**



MODEL	WATTS	VOLTAGE	LUMENS	COLOR TEMP
IGL-1W-30K	1W	12VAC/DC	100LM	3000K

**LIGHTING SPECIFICATIONS:**

- Lens: Glass lens
- Light Source: COB Technology
- Total lumens: 100LM
- Color temperature: 3000K
- Beam angle: 45°

**WARRANTY: 1 years**

